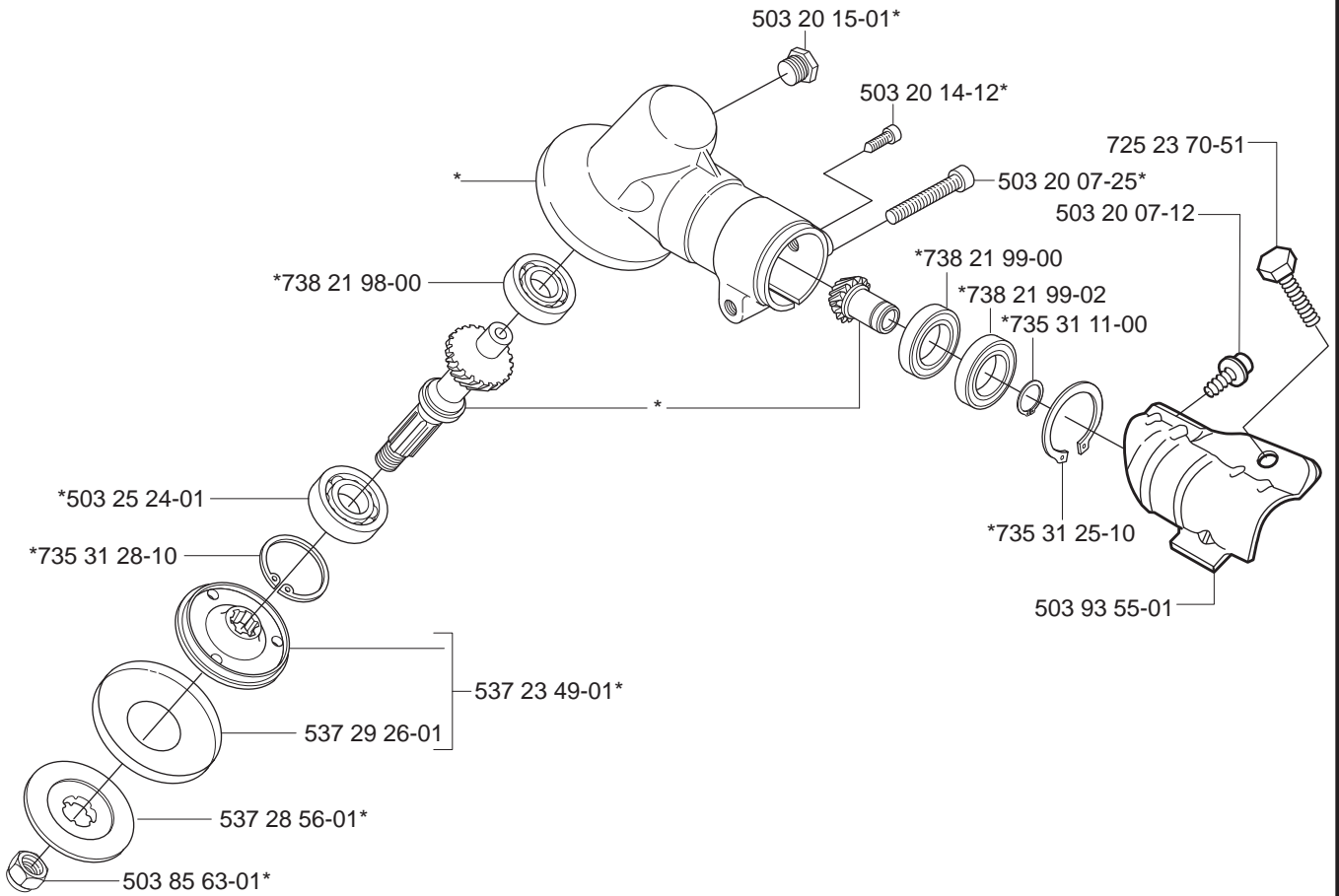
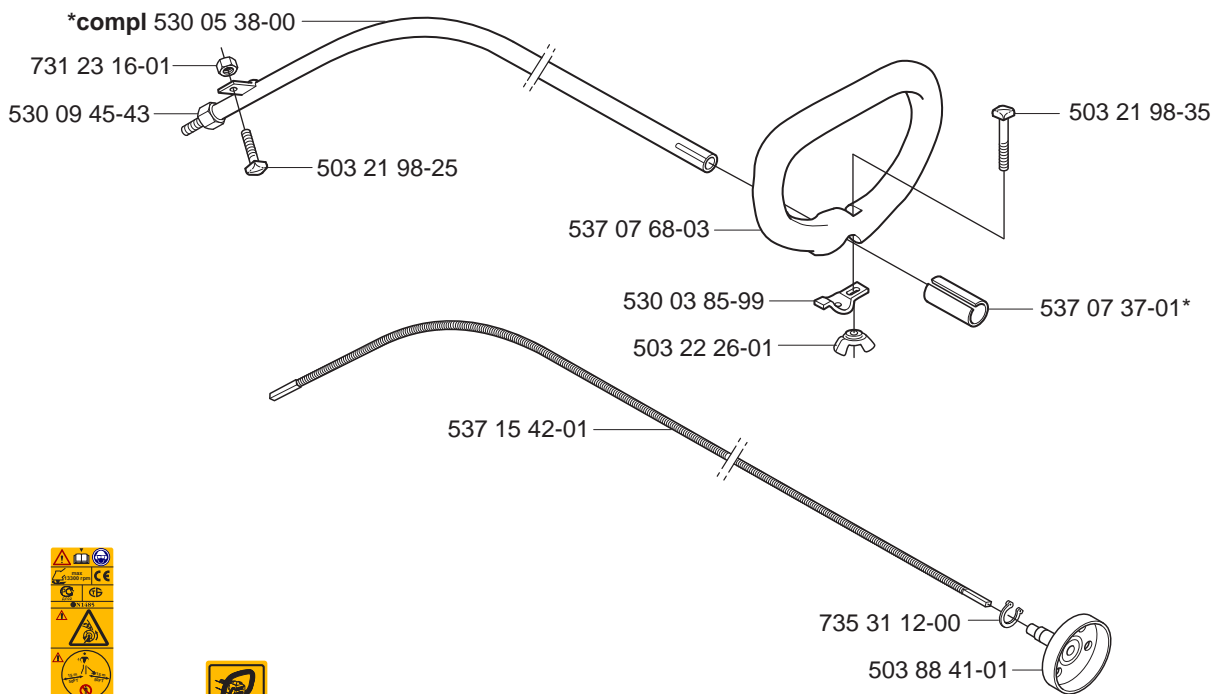


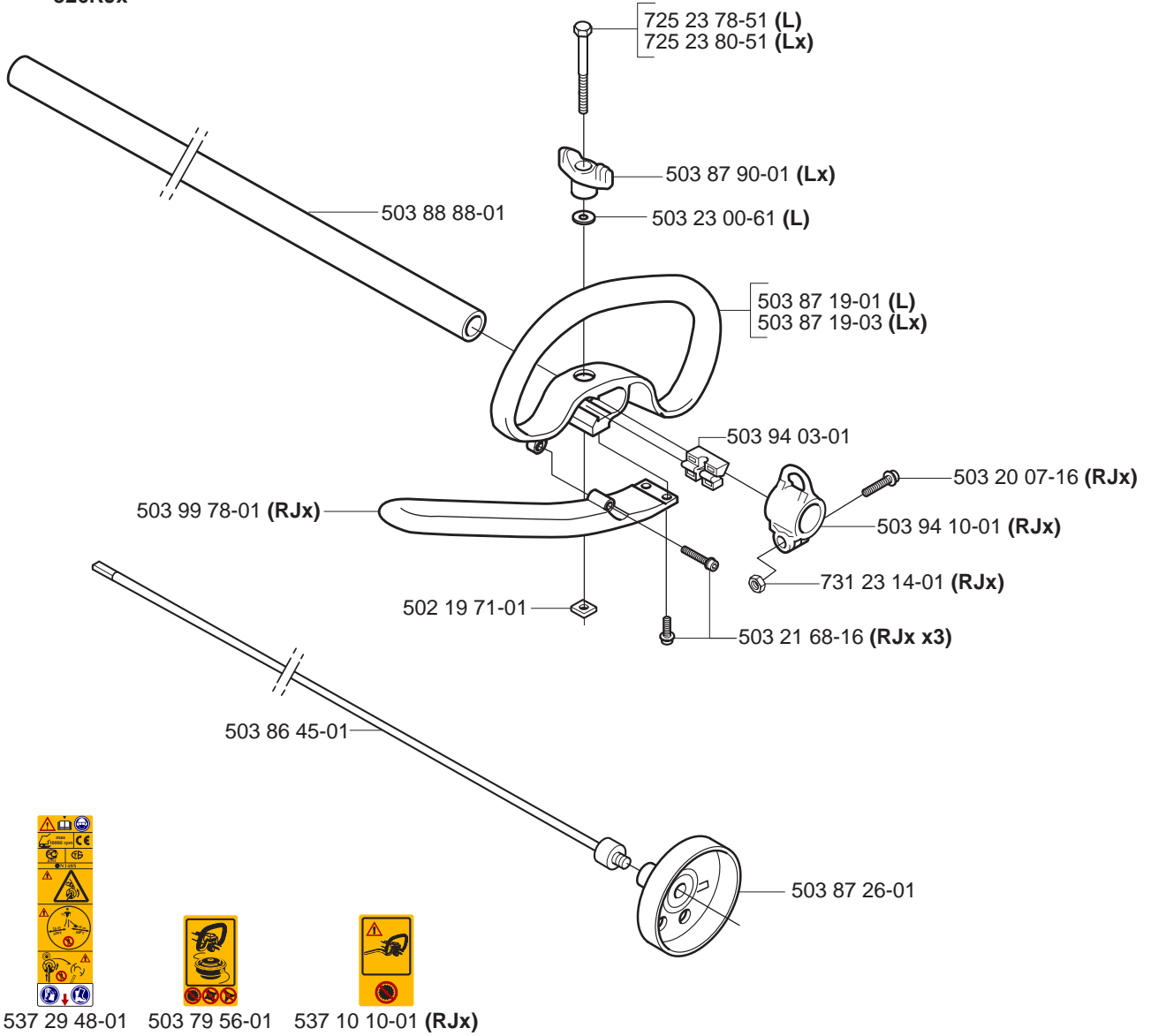
**A** 323L, R  
326L, Lx, LDx, Rx, RJx  
\*compl 537 19 92-02



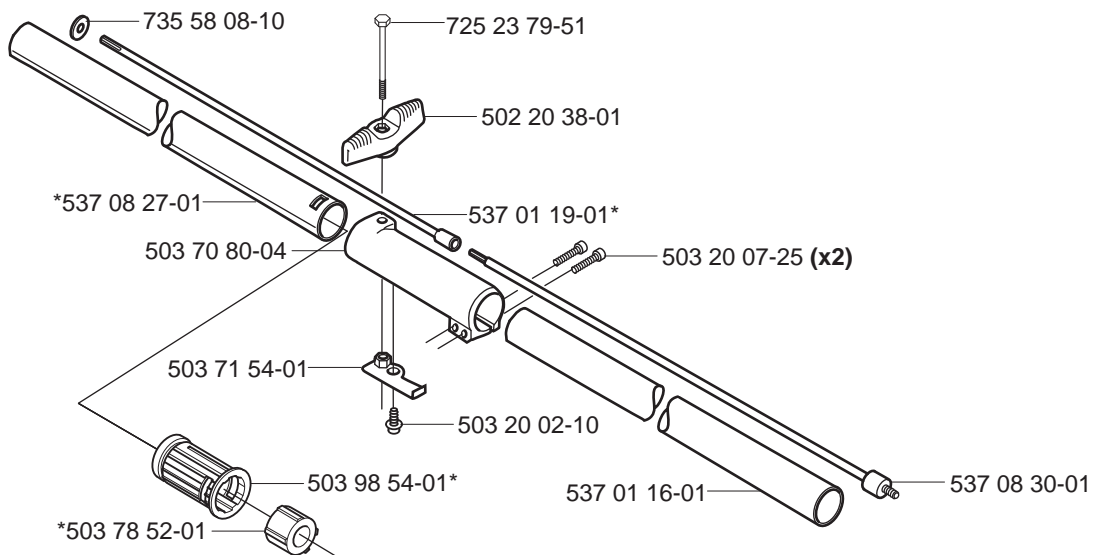
**B** 326C



**C** 323L  
326L, Lx  
326RJx

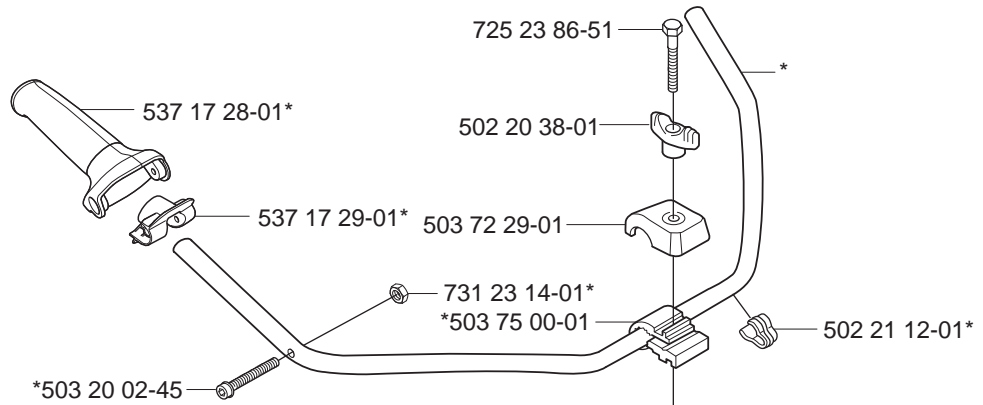


**D** 326LDx  
\*compl 537 07 99-01

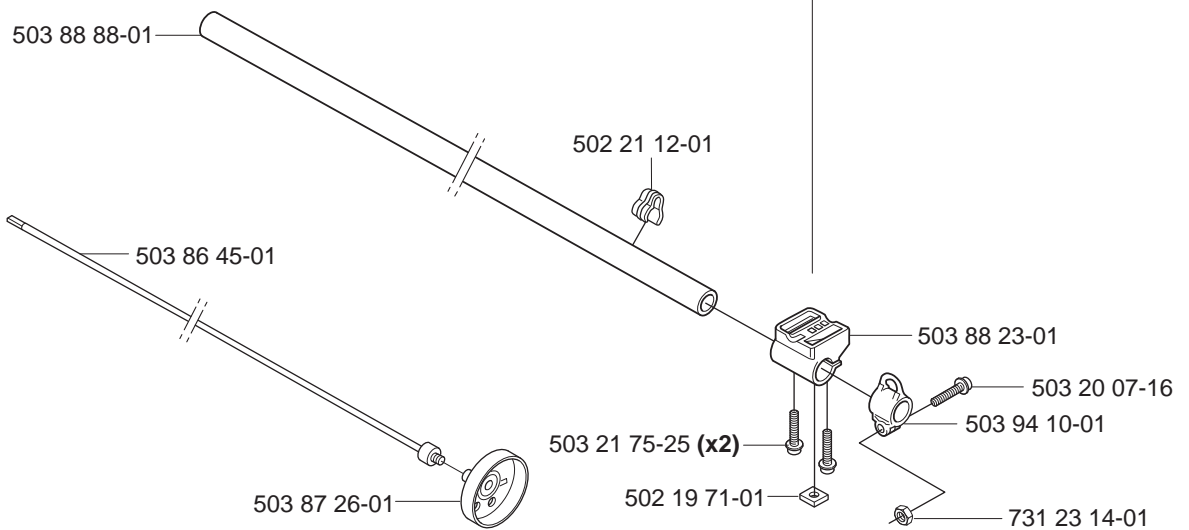
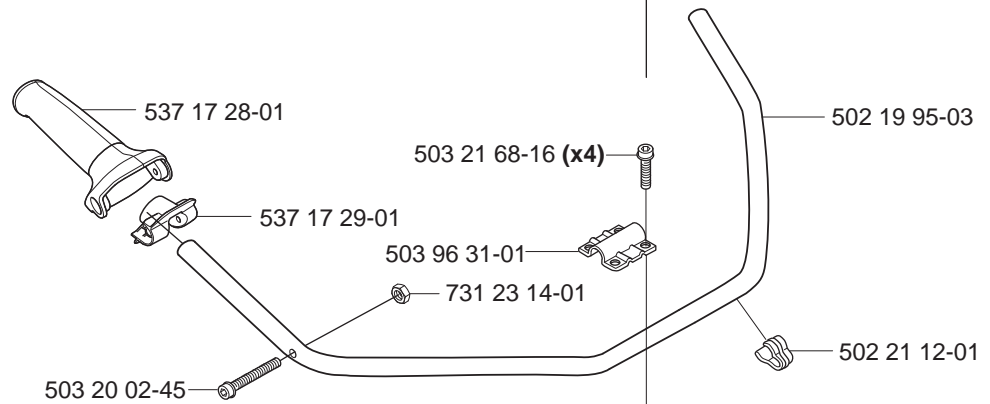


**E** 323R  
 326Rx  
 \*compl 503 72 43-09

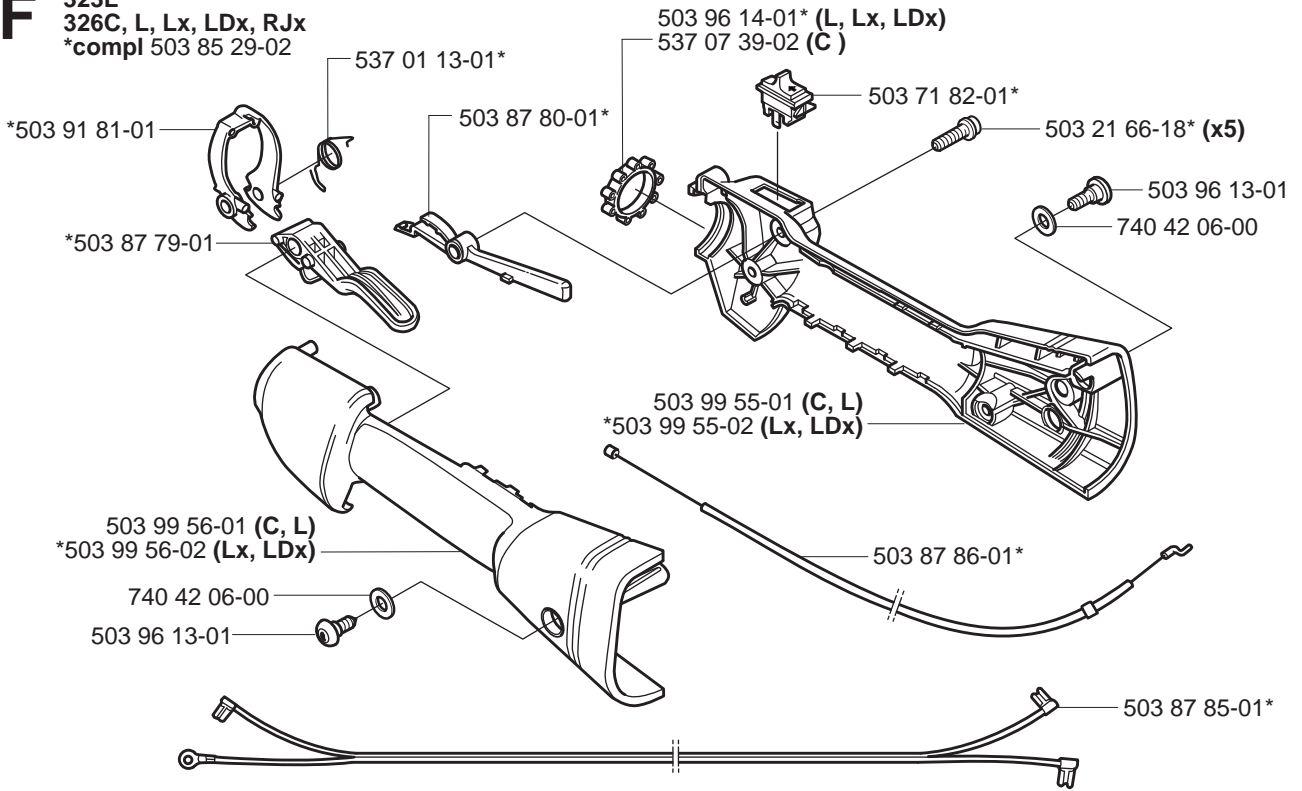
**326Rx**



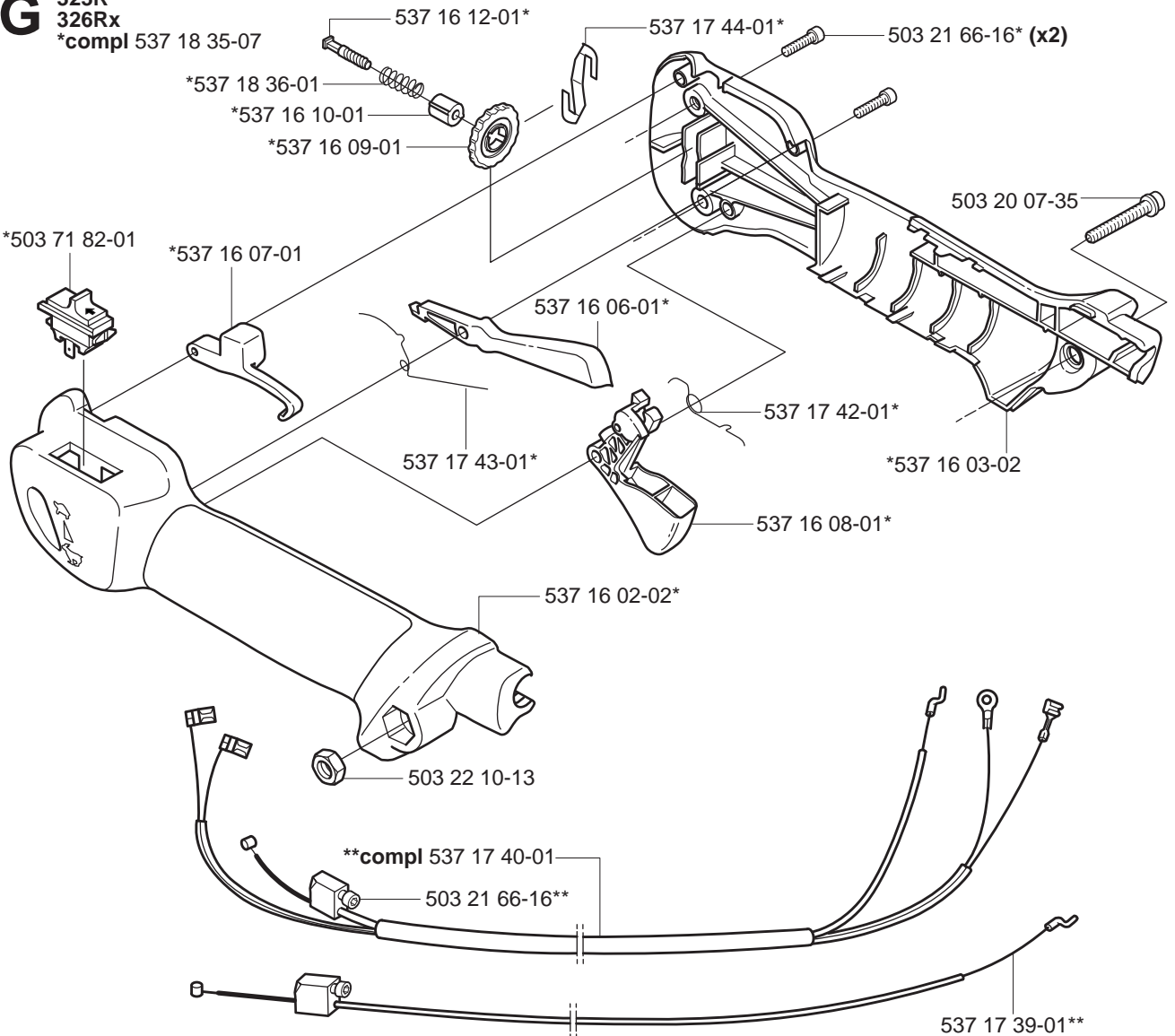
**323R**



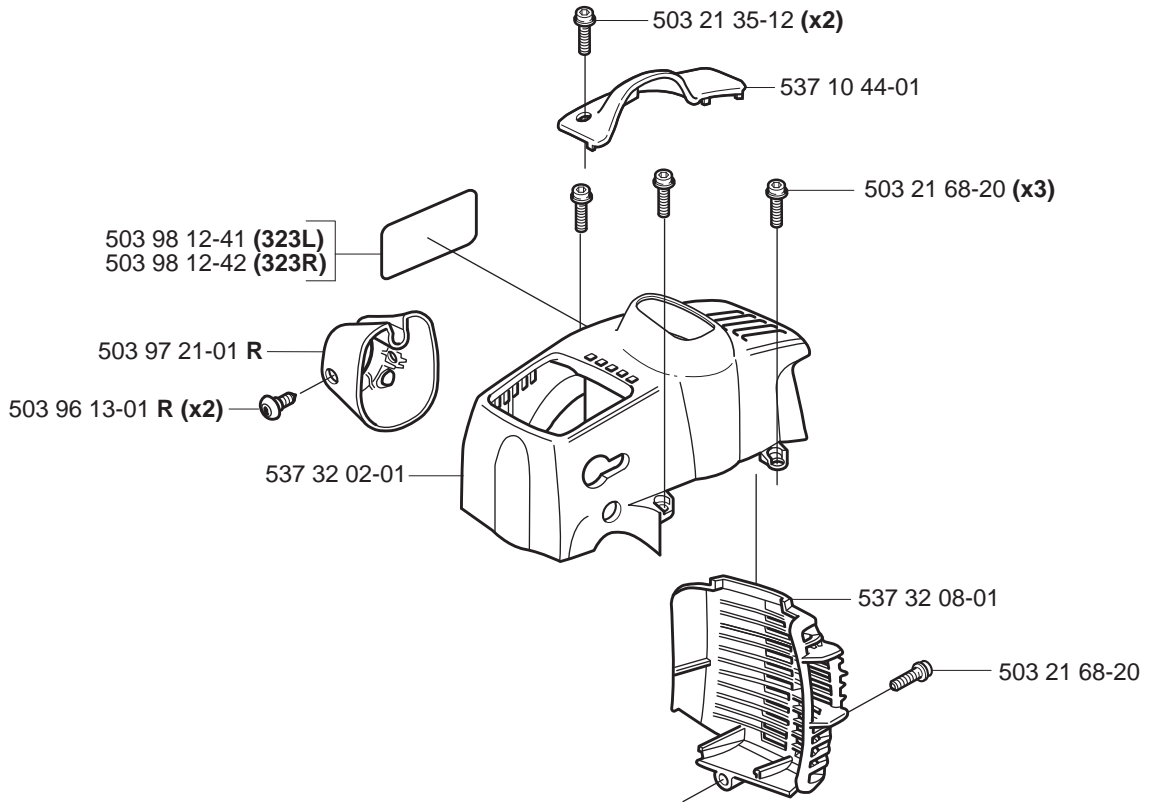
**F** 323L  
326C, L, Lx, LDx, RJx  
\*compl 503 85 29-02



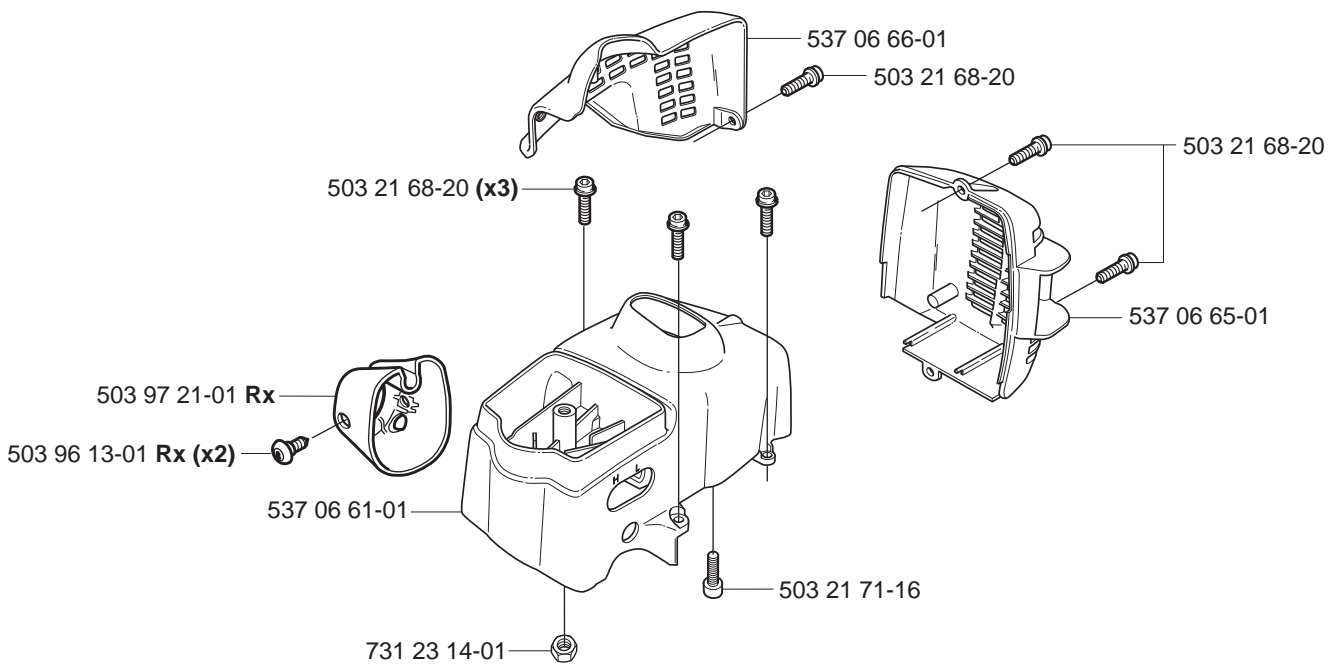
**G** 323R  
326Rx  
\*compl 537 18 35-07

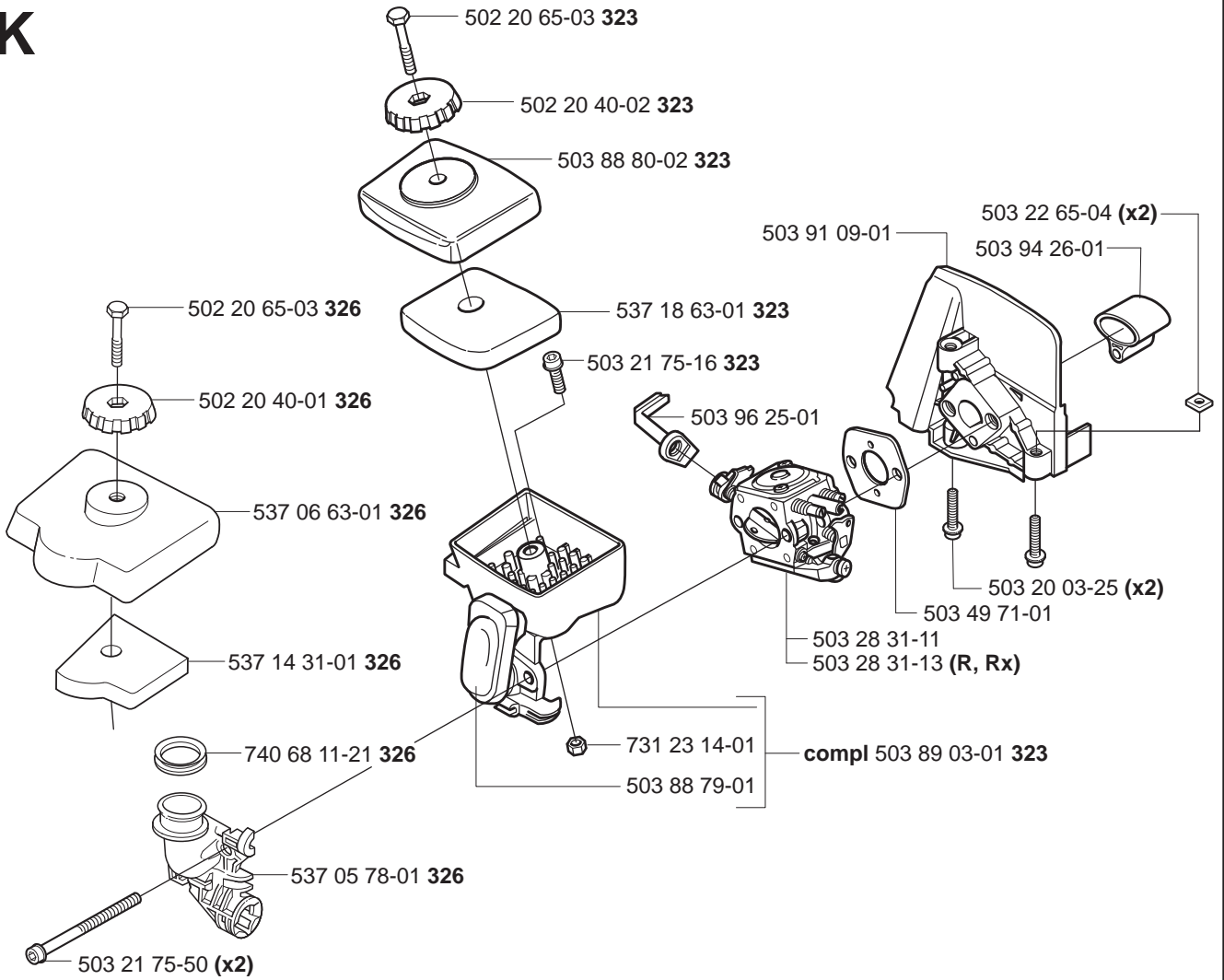
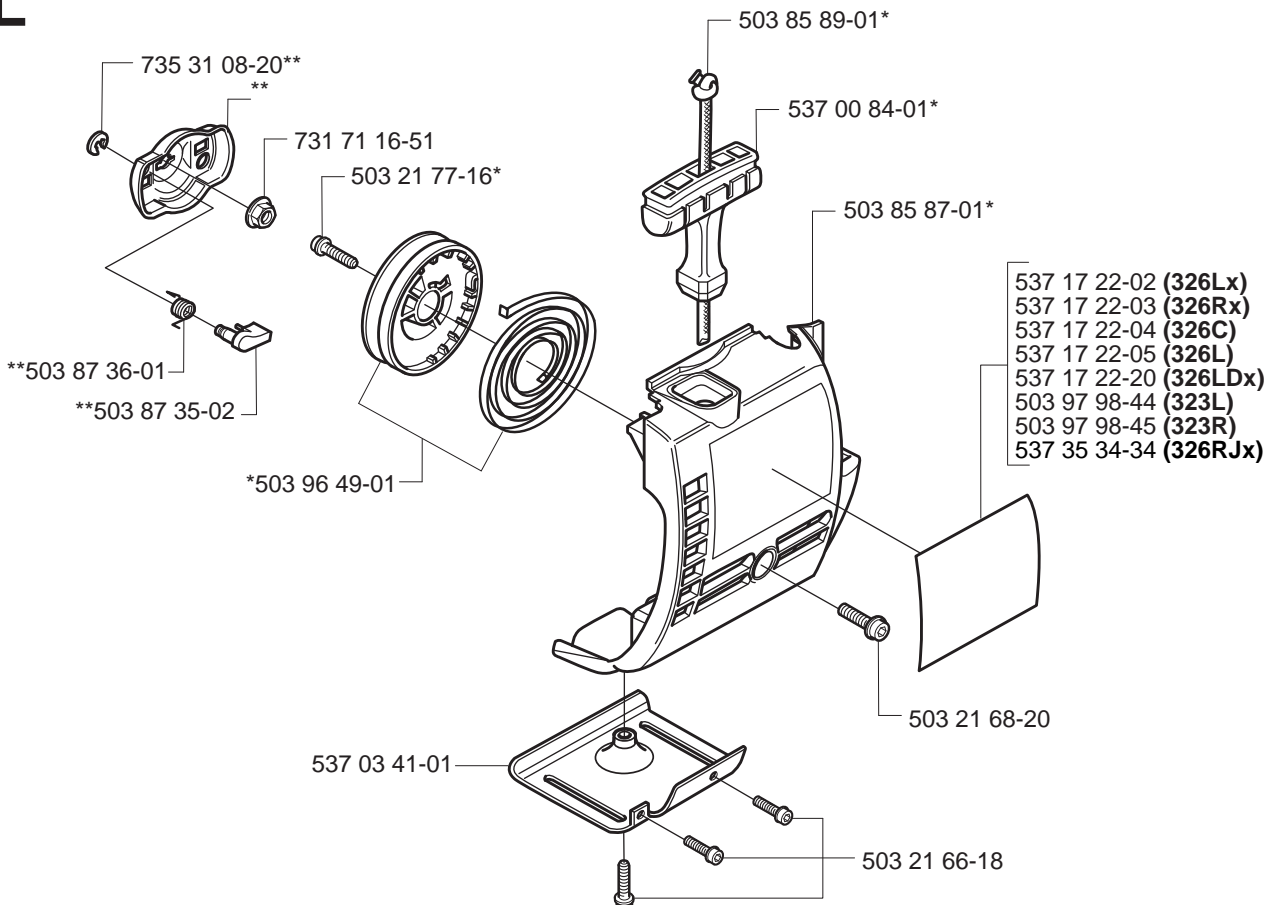


# H 323L, R

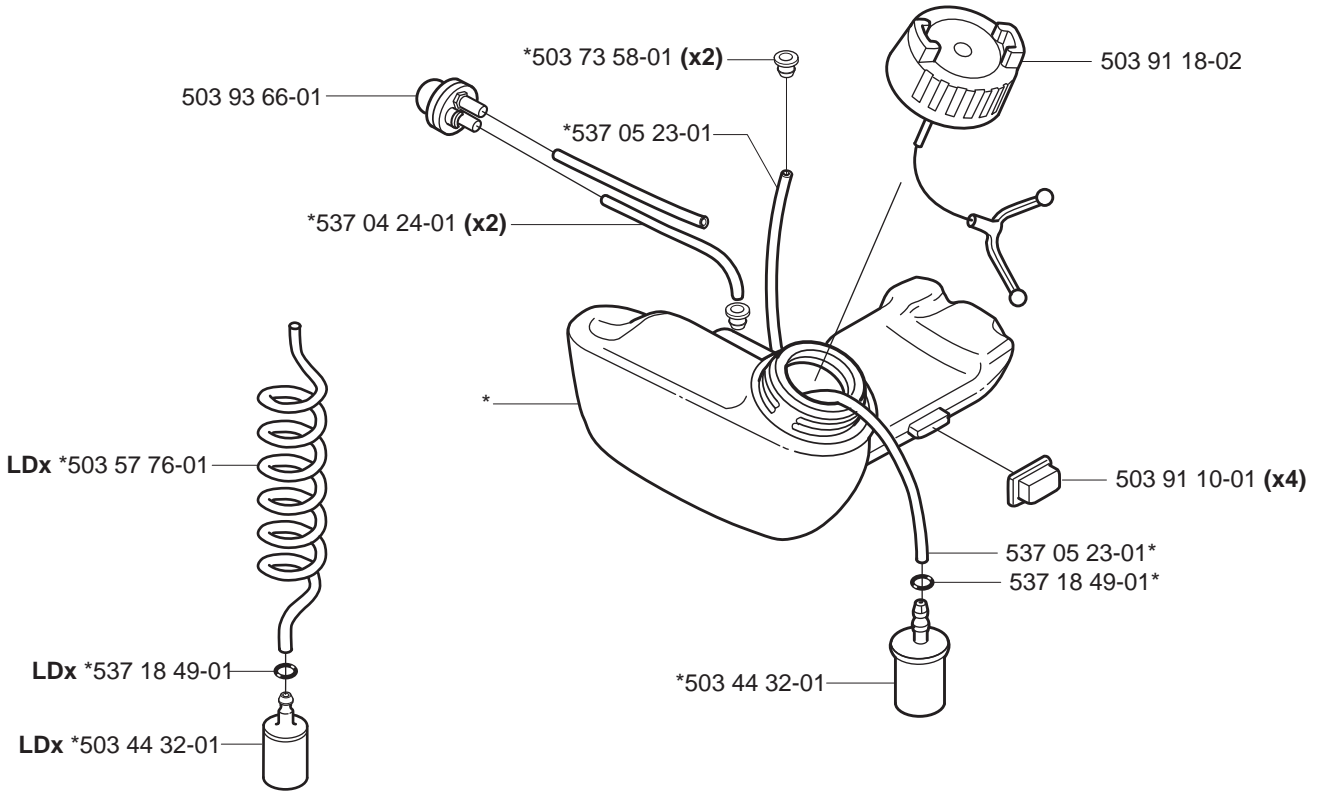


# J 326C, L, Lx, LDx, RX, RJx



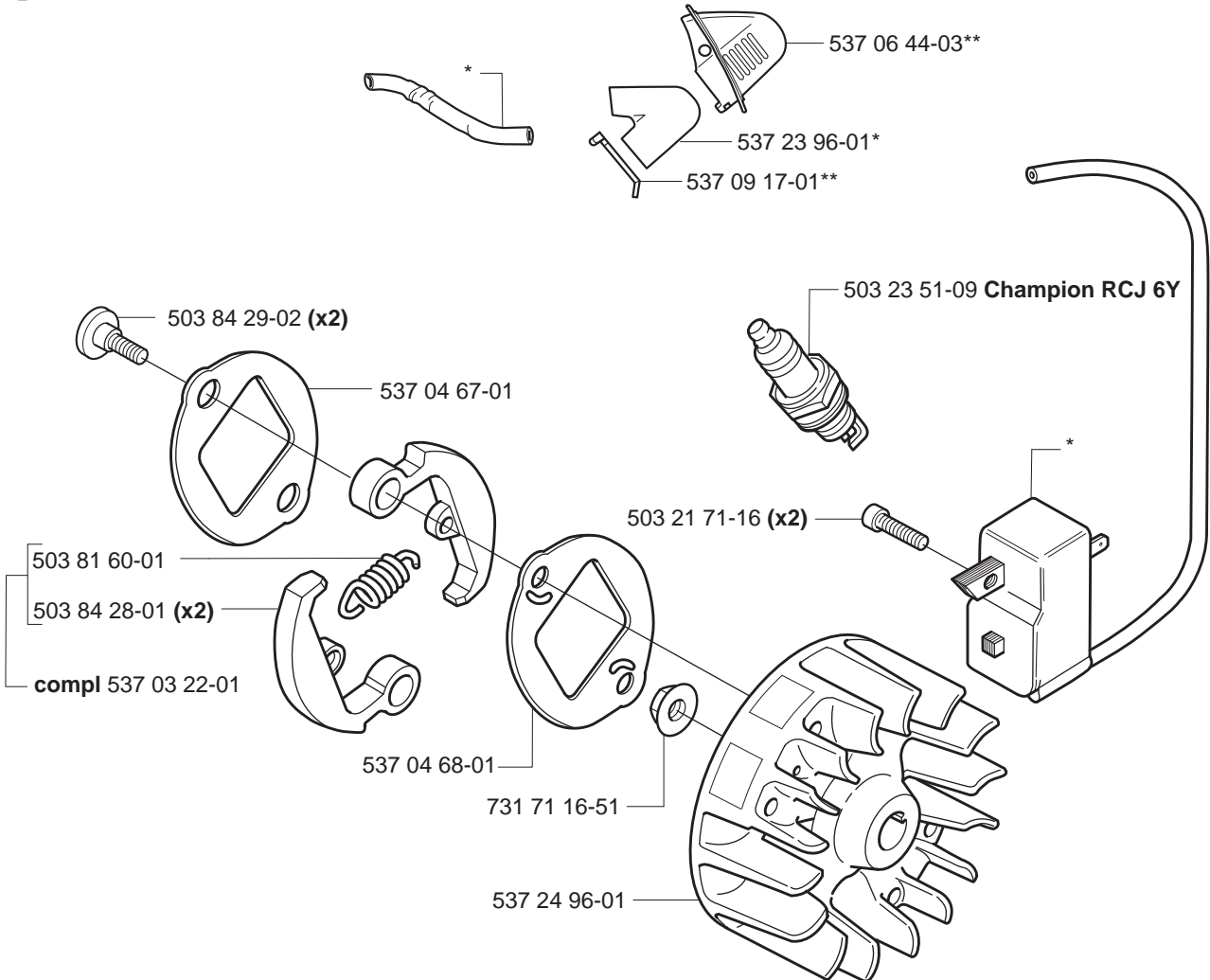
**K****L****\*\*compl 503 87 33-02****\*compl 503 85 28-01**

**M** \*compl 537 06 86-01 C, L, Lx, R, RJx, Rx  
 \*compl 537 06 86-02 LDx



**N** \*compl 537 04 23-01

\*\*compl 537 06 33-02 (326)





**P**

\*compl 537 08 51-01

326 \*\*537 22 18-01

326 \*\*compl 537 22 17-01 Cat.

326 \*\*503 20 29-56 (x3)

537 01 41-01

\*\* 326

\*

323 \*\*\*compl 537 03 94-01 Cat.

323 \*\*\*503 20 29-50 (x3)

503 28 90-43 (x2)

503 20 07-35\* (x4)

503 71 22-01

323 \*\*\*

737 44 08-00 (x2)

537 08 46-71\*

323 \*\*\*503 87 17-01

**Q**

\*compl 537 08 52-01

\*\*compl 537 04 12-03

\*\*\*compl 537 30 96-01

503 21 68-25\*\*\* (x2)

\*537 06 69-01

503 21 68-20\*\*

\*537 08 85-01

537 07 36-01

\*\*\*

\*\*\*

537 06 68-01\*

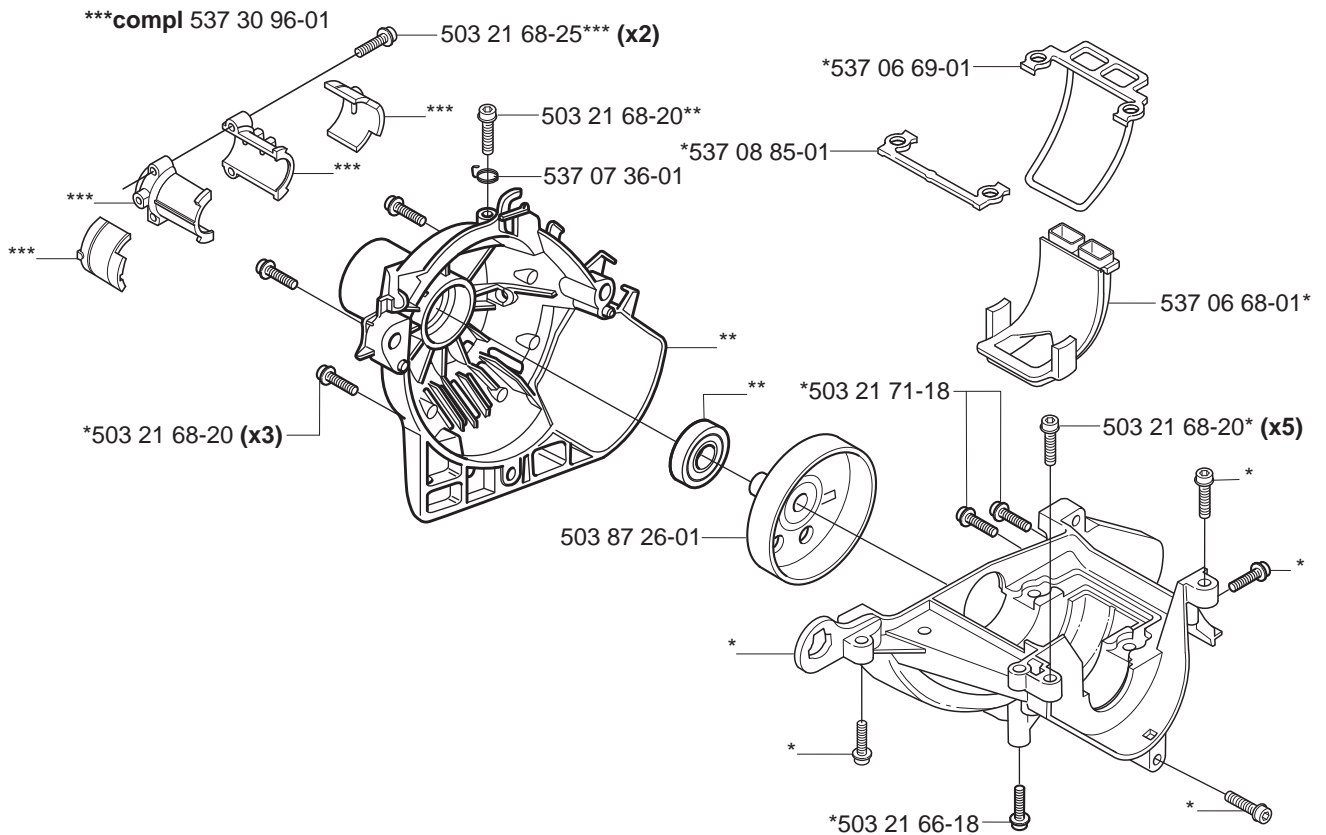
\*503 21 68-20 (x3)

\*503 21 71-18

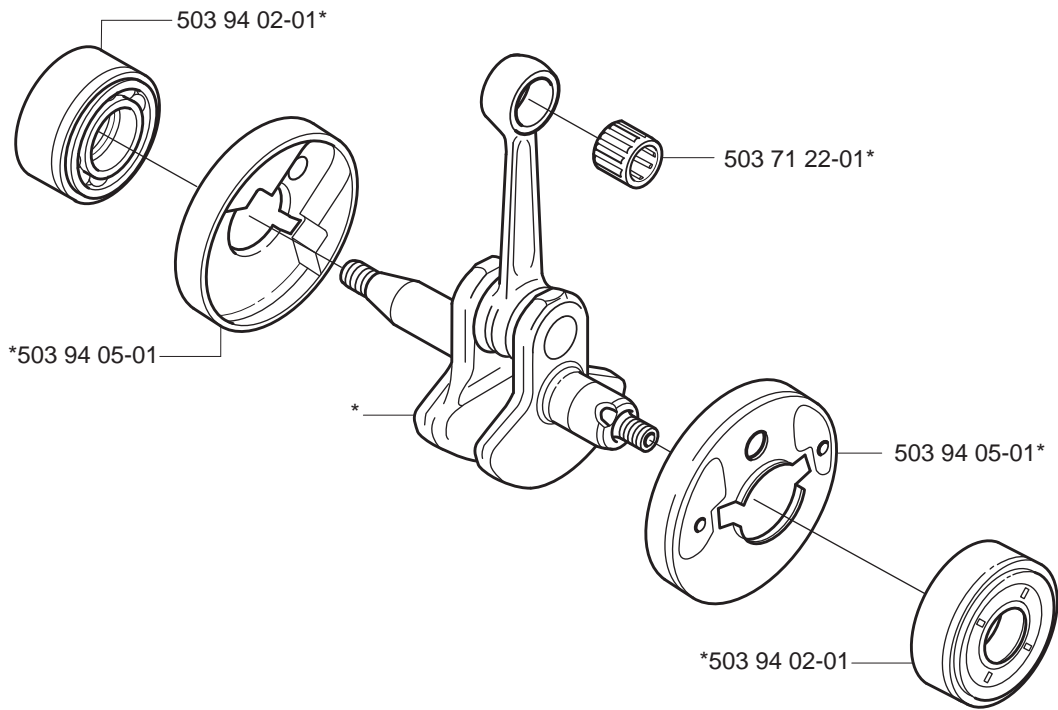
503 21 68-20\* (x5)

503 87 26-01

\*503 21 66-18

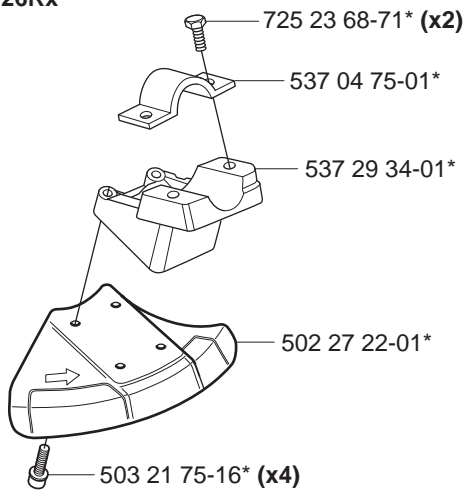




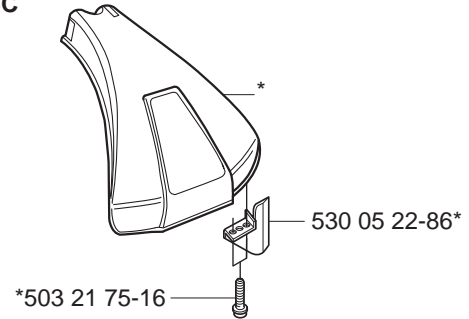
**R****\*compl 503 85 24-74****S**

**Accessories  
Zubehöre  
Accessoires  
Accesorios  
Tillbehör**

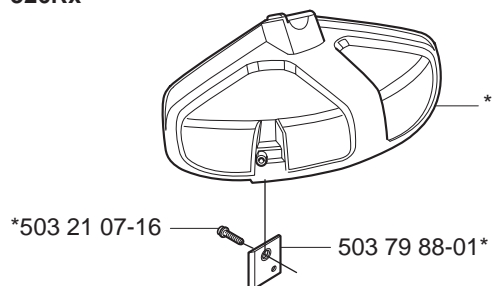
**\*compl 537 29 95-01  
323R  
326Rx**



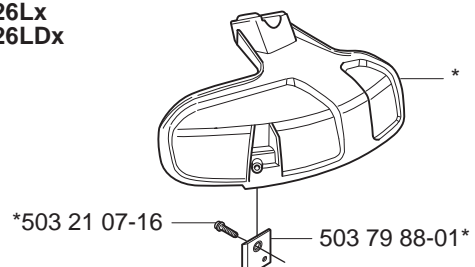
**\*compl 537 02 61-01  
326C**



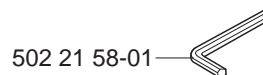
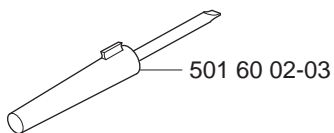
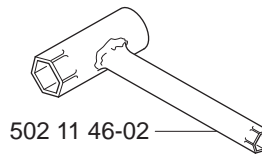
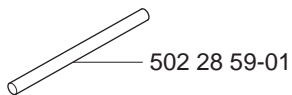
**\*compl 503 93 42-02  
323R  
326Rx**



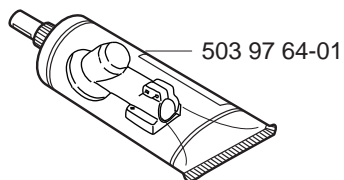
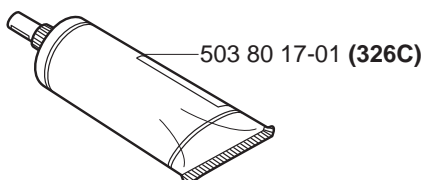
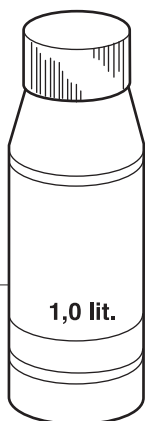
**\*compl 503 97 71-01  
323L  
326L  
326Lx  
326LDx**



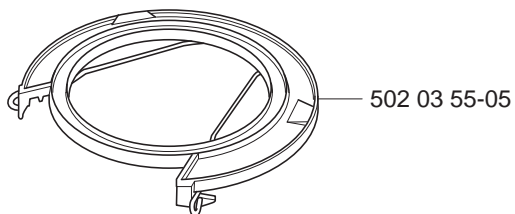
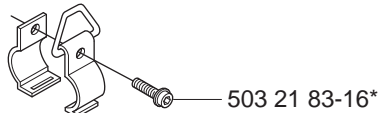
**S** Accessories  
 Zubehöre  
 Accessoires  
 Acessorios  
 Tillbehör



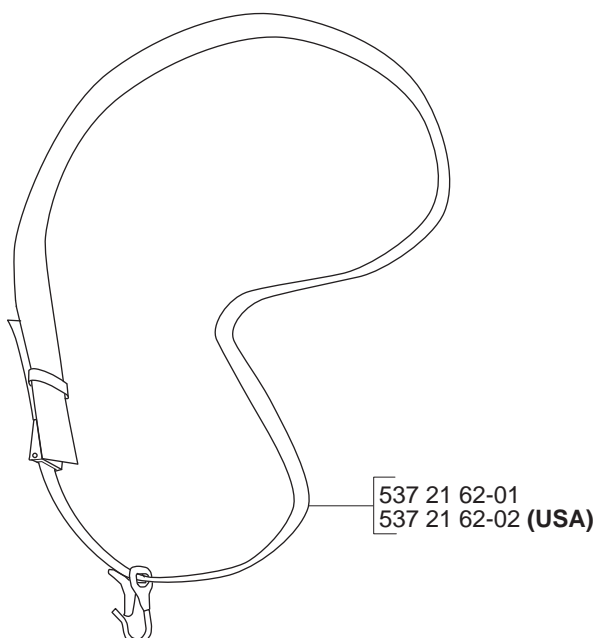
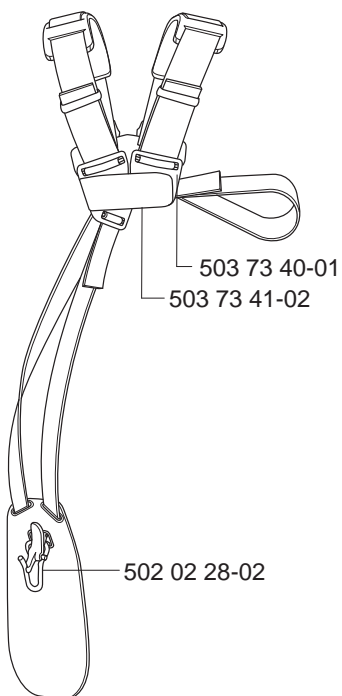
Olja Luftfilter  
 Oil Airfilter  
 Öl Luftfilter  
 Aceite Filtro Air  
 Huile Filtera aire



\*compl 501 78 33-01



compl 537 21 63-01  
 compl 537 21 63-02 (USA)

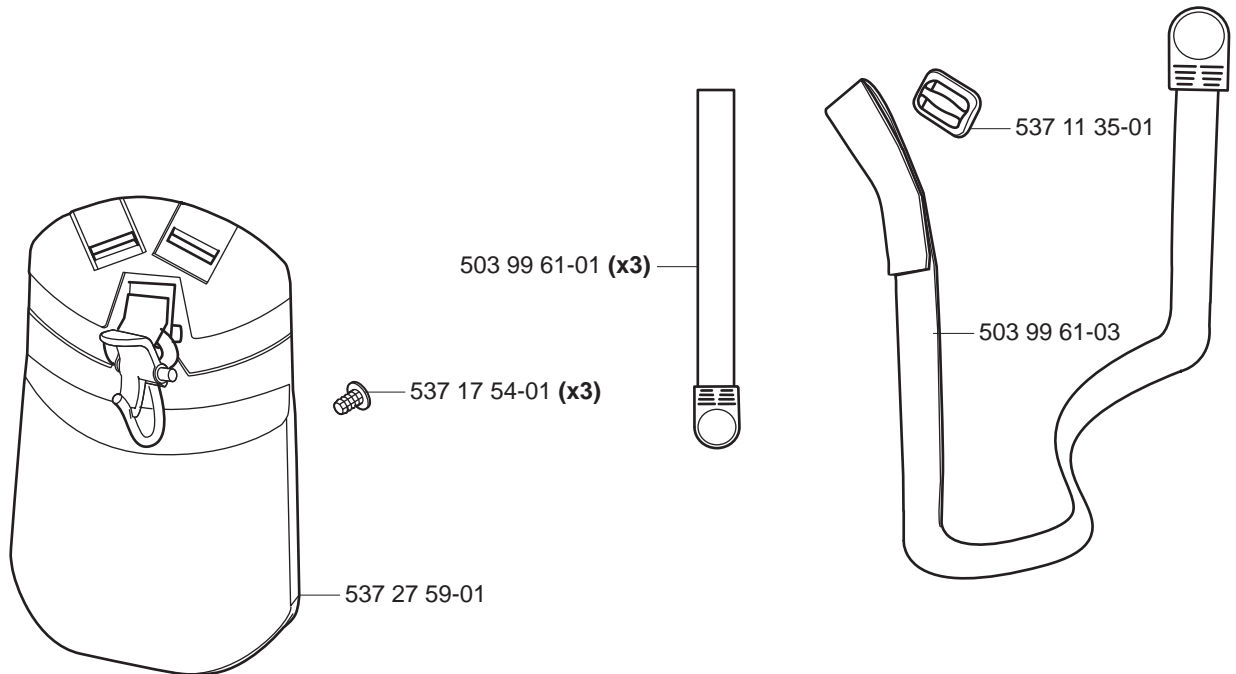
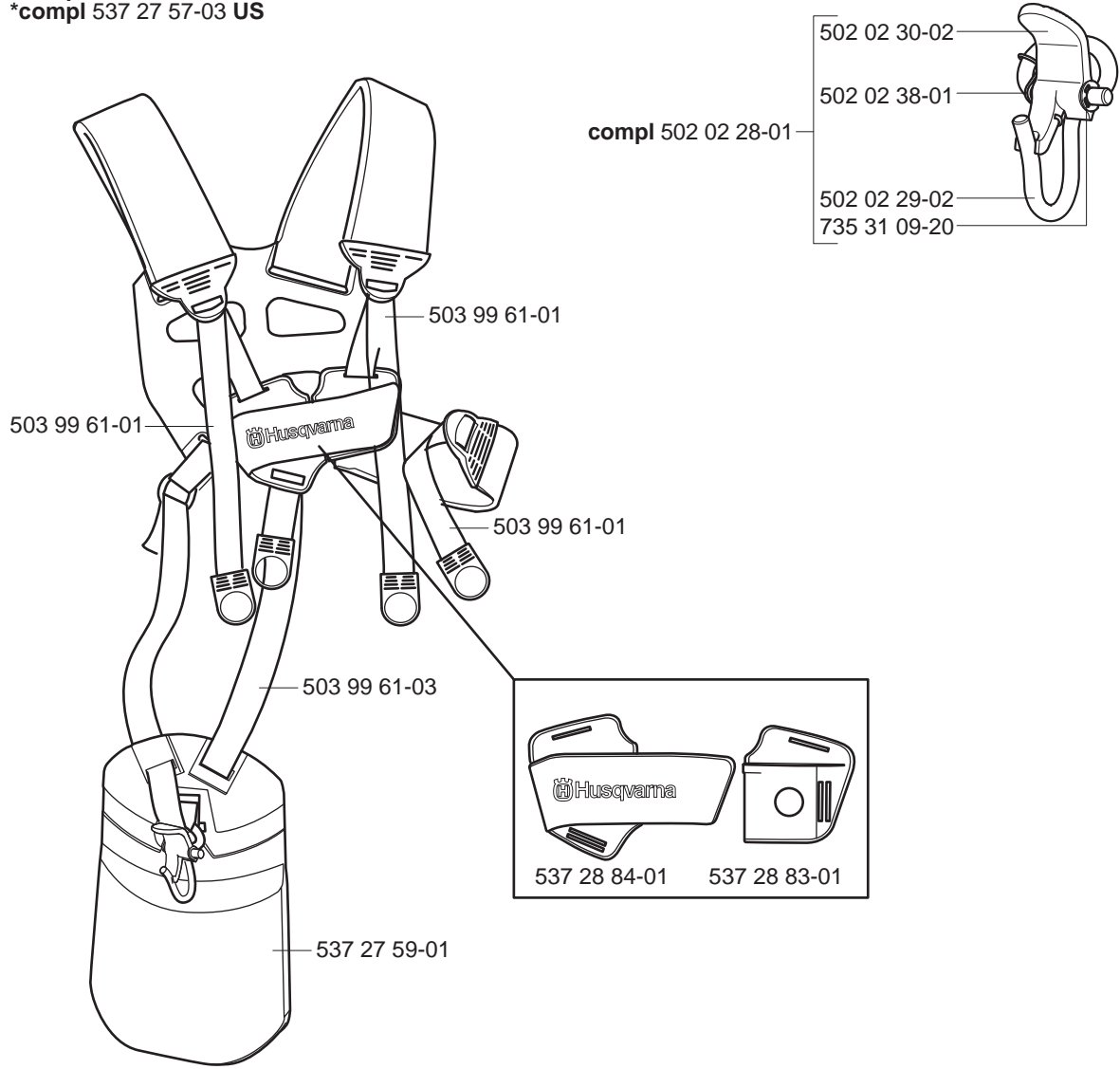


**S**

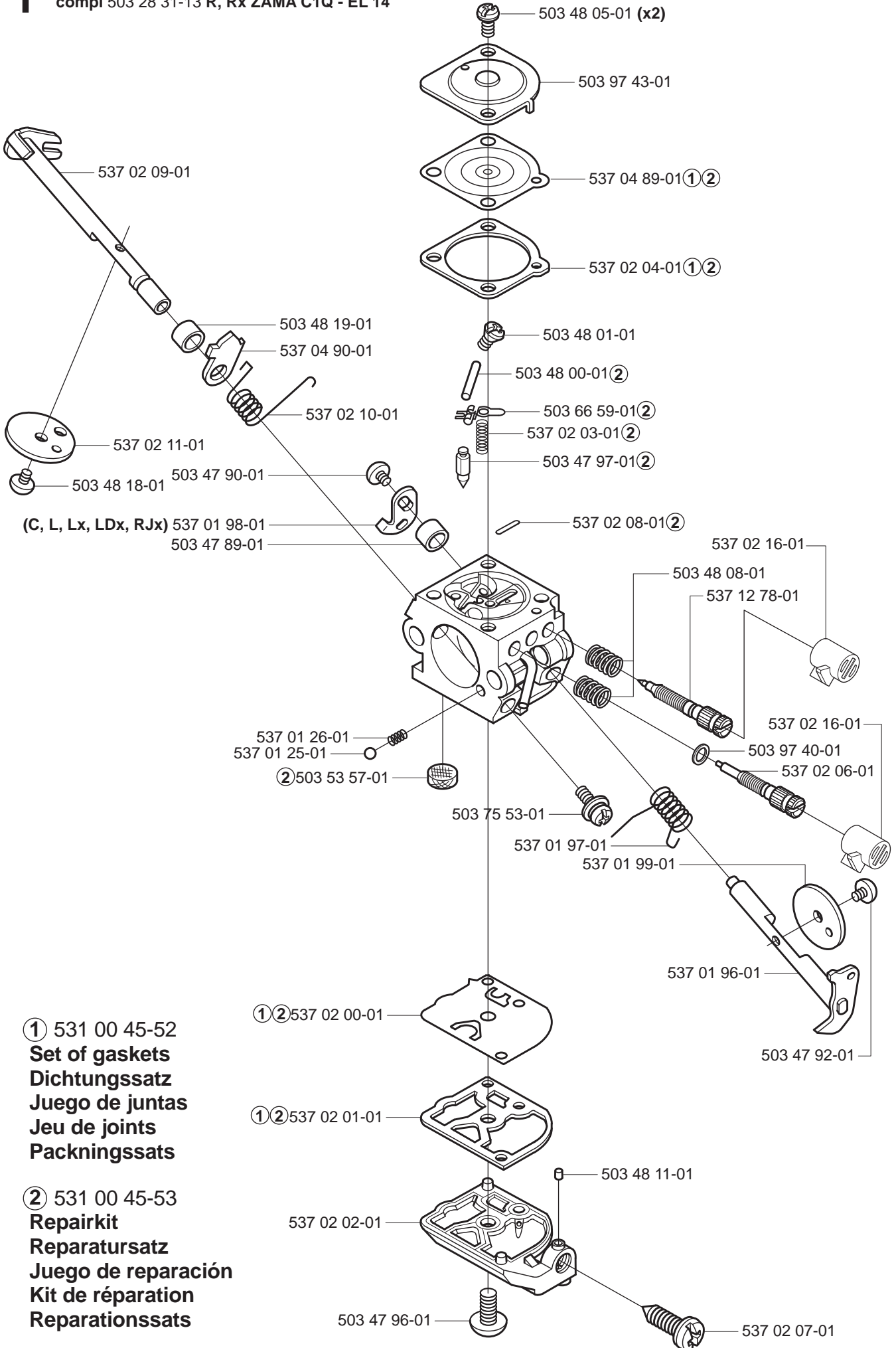
**Duo Balance**

\*compl 537 27 57-01

\*compl 537 27 57-03 US



**T** compl 503 28 31-11 C, L, Lx, LDx, RJx ZAMA C1Q - EL 12  
 compl 503 28 31-13 R, Rx ZAMA C1Q - EL 14



① 531 00 45-52  
**Set of gaskets**  
**Dichtungssatz**  
**Juego de juntas**  
**Jeu de joints**  
**Packningssatz**

② 531 00 45-53  
**Repairkit**  
**Reparatursatz**  
**Juego de reparación**  
**Kit de réparation**  
**Reparationsssatz**